

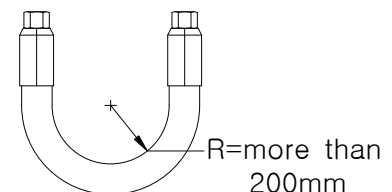
◆ Please make sure to observe it! ◆

© If not observed, failure and accident may occur.

1. Electric Specification

VAC Hz Kw

2. Do not turn the pump switch ON until it reached to the set temperature.
3. Switch off the power before the panel is opened.
4. Please make sure to read the operating manual before the installation and operation of the system.
5. At time of equipment maintenance and repair, switch off the MAIN power and wait until the temperature is dropped.
6. At time of equipment operation, do not use the pressure higher than required.
(Do not operate the machine in a manner prohibited or not instructed in the manual.)
7. At time of filter change, change it after removing the pressure with the pump switch OFF.
8. As the surface of TANK and GUN is so hot and may cause burns, so never fail to wear a cotton gloves to touch it.
9. When the HOSE is connected to the TANK or GUN, the radius should be more than 200 mm, and fasten it rightly not to be twisted.



HOT MELT APPLICATOR SYSTEM

nino 45



ADRESS : 62 Dangjeong-ro, Gunpo-si, Gyeonggi-do
, Korea (경기도군포시당정로 62)

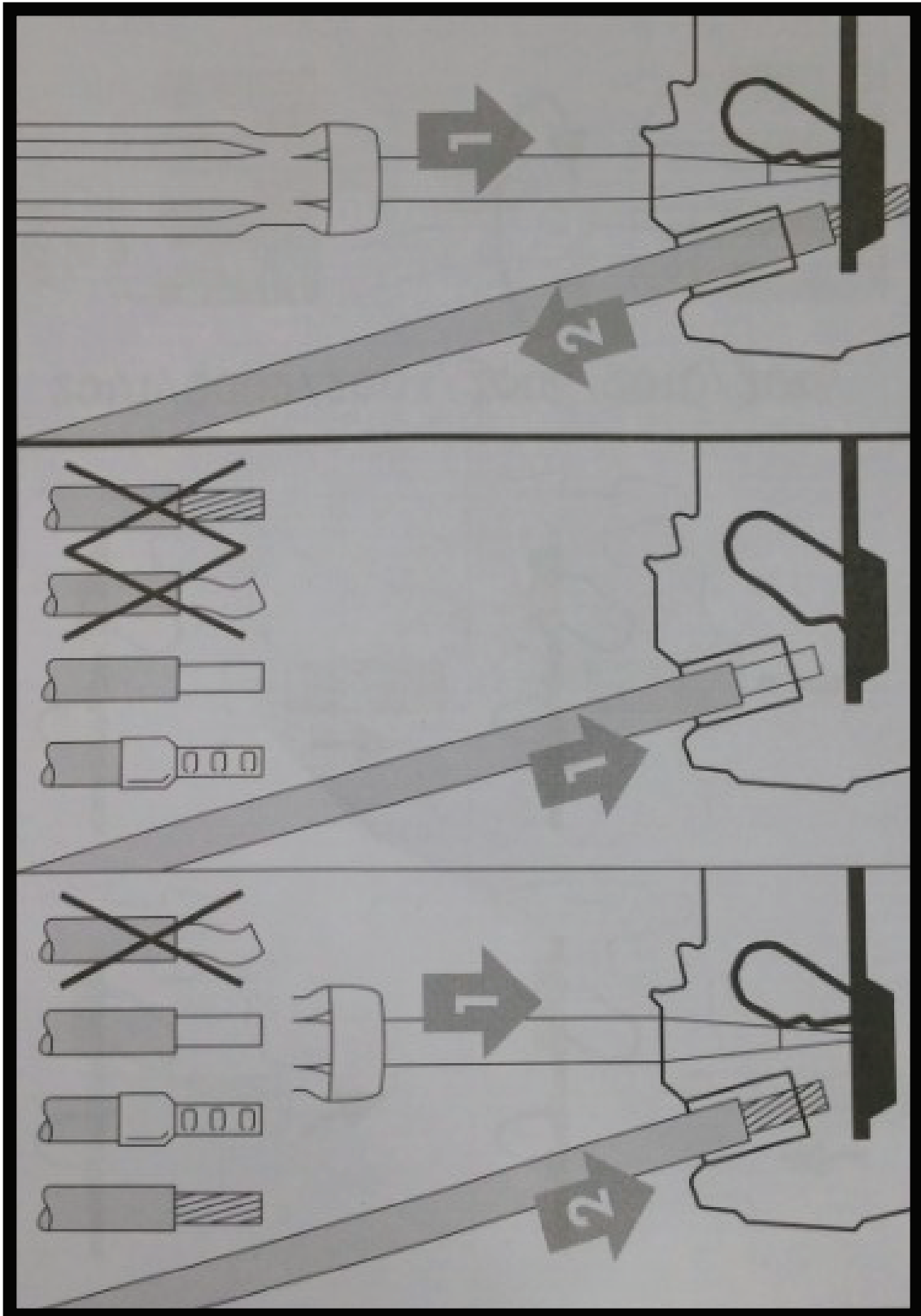
TEL : +82-31-456-4190

FAX : +82-31-456-4191

E-Mail : webmaster@phalbok.com

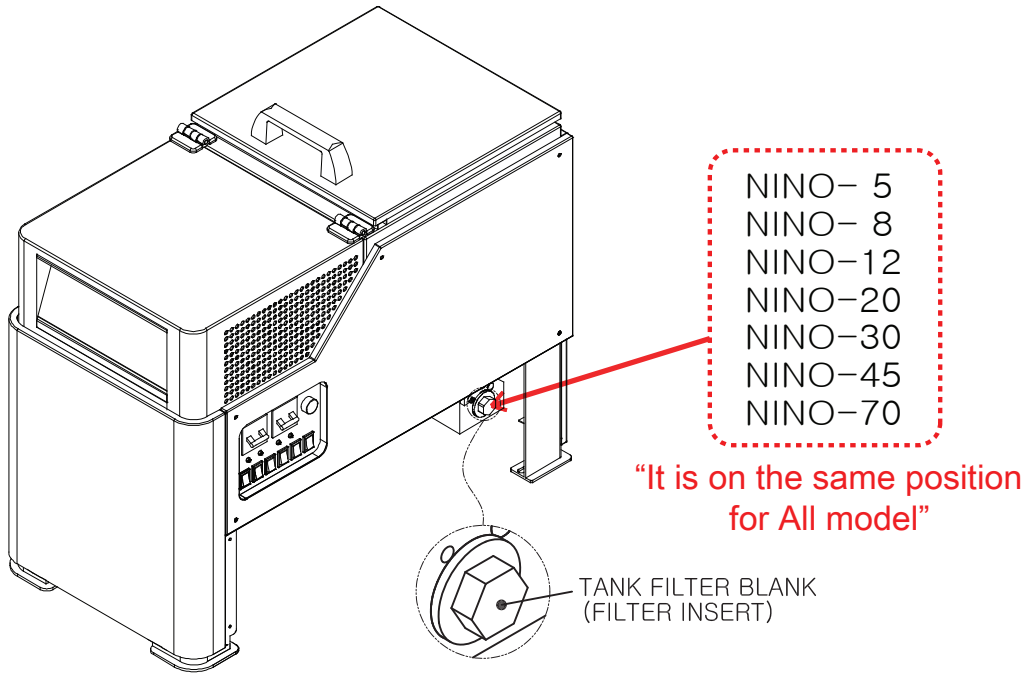
<http://www.phalbok.com>

◆ How to connect the power terminal ◆

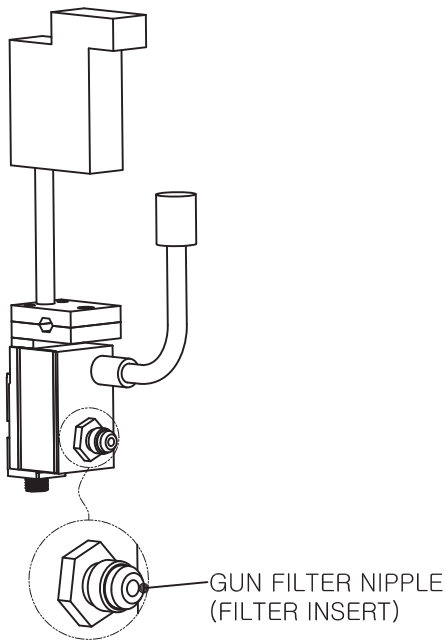


◆ Cares to be taken prior to operation ◆

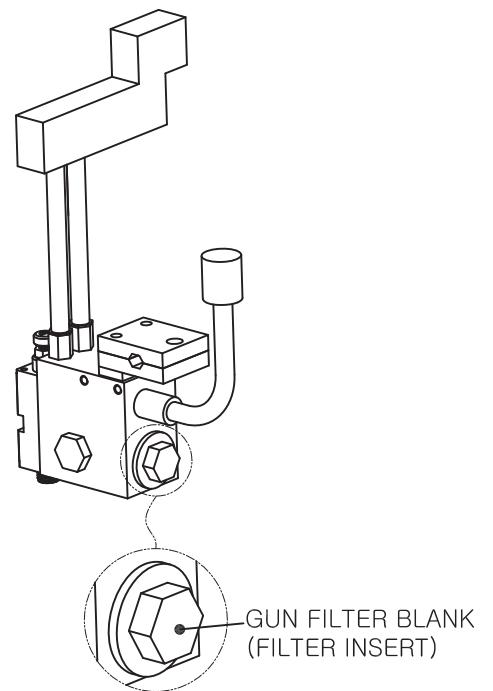
◎ Filter insertion position



[APPLICATOR Filter position]

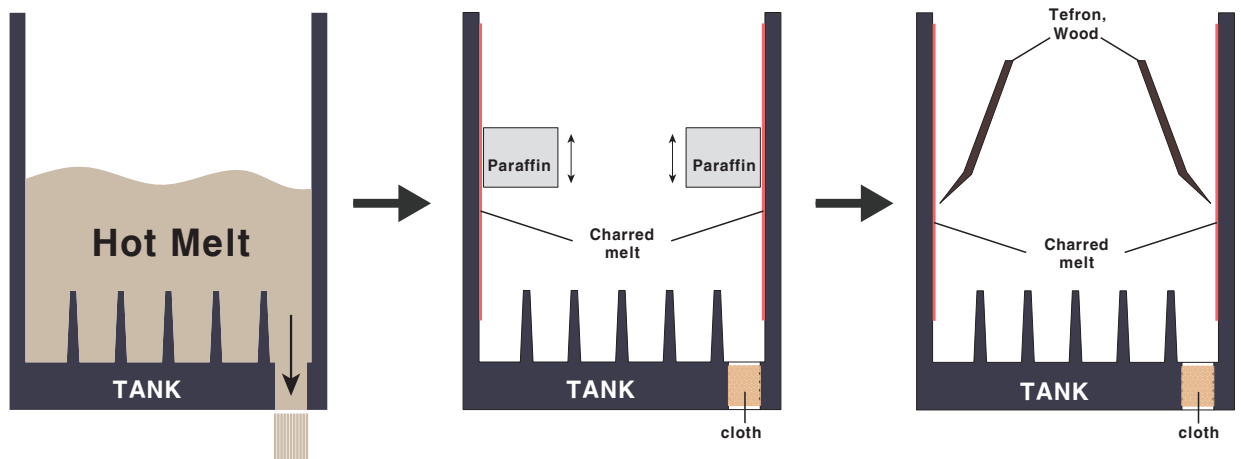


[GUN Filter position 1]



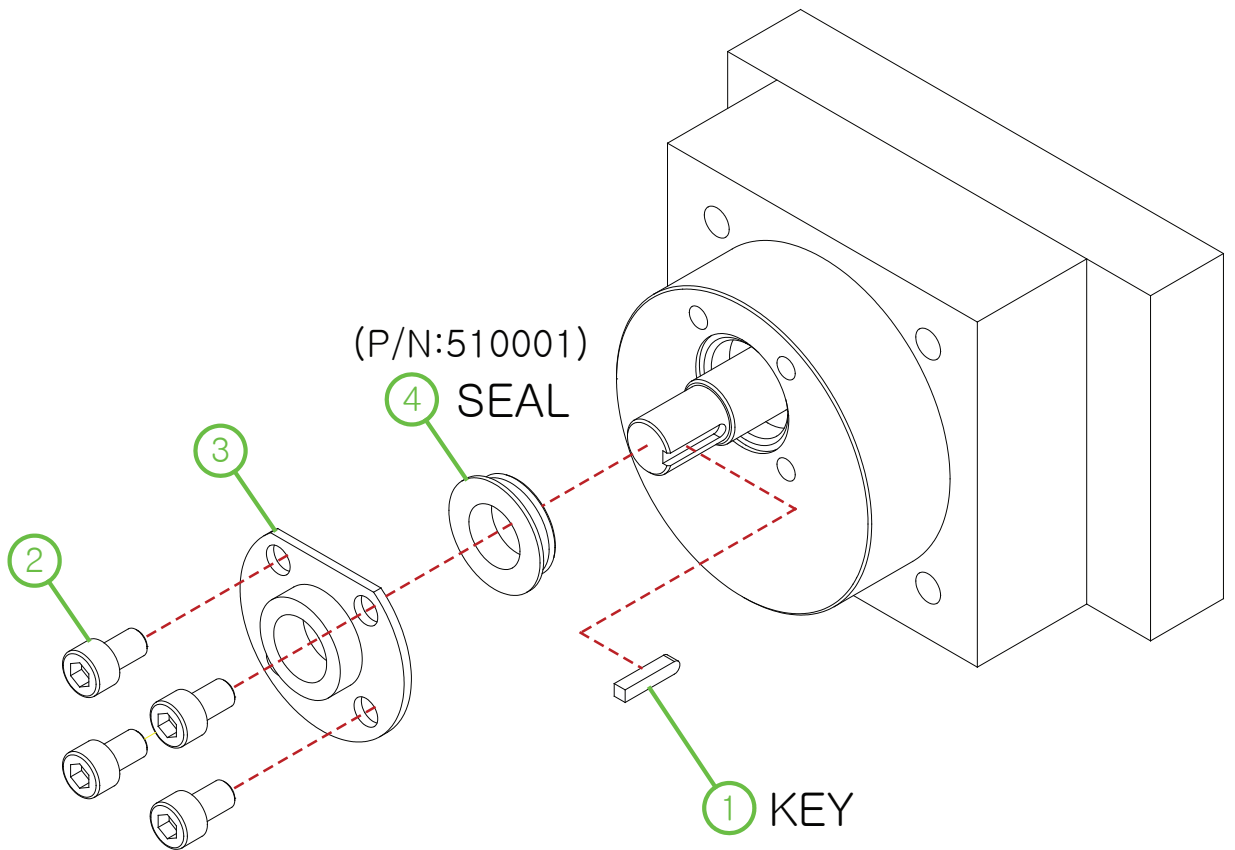
[GUN Filter position 2]

◆ Cleaning the tank ◆



1. Discharge the remaining hot melt from the inside of the tank.
2. Stop the pump inlet port with a cloth, etc.
3. Remove the charred melt from the wall and grid inside of the tank using paraffin, etc.
4. If the charred melt is not removed with paraffin, scrub it using a safe tool (a wood knife, a teflon knife) that does not cause damage to the teflon coated inside of the tank.
5. Wipe the scraped carbide from the tank completely.
6. Separate the tank filter from the tank and clean it
7. Stop the tank filter blank and disengage the hose
8. After putting hot melt into the tank and melting it, discharge it until carbide is not coming out any more.
9. Replace the tank filter and the hose to complete the cleaning process of the tank.

◆ PUMP SEAL ◆



– Table of Contents –

1. Caution and cares to be taken for safe use	
(1) General	1
(2) Worker Requirements	1
(3) Important Caution for Safety	2
(4) Position of label	4
2. Outline of NINO–SERIES HOT MELT APPLICATOR	5
3. Installation of NINO–SERIES HOT MELT APPLICATOR	
(1) MELT UNIT Installation	6
(2) HOT MELT HOSE Installation	6
4. Example of Electrical Wiring	
(1) Main electrical power wiring connection	8
(2) INTERLOCK CIRCUIT between HOT MELT APPLICATOR PUMP MOTOR and main machine	8
5. Operation	
(1) Cares to be taken prior to operation	10
(2) Operation	11
6. MODEL NINO–20 Details and Specification	12
6–1. How to fix NINO SERIES	13
7–1. Main Switch panel control equipment and pilot lamp	14
7–2. Explanation about various electrical parts	15
7–3. Motor Specification and characteristics	17

8. Part list

(1) MAIN SWITCH PANEL	18
(2) Interior panel in the front	19
(3) Disassembly drawing and explanation for NINO TANK	20
(4) Disassembly drawing and explanation for PUMP BLOCK	23

9. How to clean MELT UNIT25

10. Finding problem and solution when using HOT MELT APPLICATOR26

11. Finding problem and solution when using HOT MELT27

◆ CE LABEL

◆ Electrical Drawings

◆ Temperature controller (TCS-500) Series ◆

◆ GUN ◆

1. Basic Requirements for safe use

We, Phal Bok System, are very grateful for purchase of our products. Considering the fact that our HOT MELT APPLICATOR uses hot melt at high temperature, high pressure and high speed, please get familiarized with Service Manual for safety of operator and observe as required. Failure to observe Service Manual may cause bodily injuries and equipment damages.

(1) General Cares to be taken

- * Please be sure to get familiarized with Service Manual, prior to installation, operation and repair of HOT MELT APPLICATOR.
- * Please have designated workers only be engaged in operation of the machine.
- * When something goes wrong with the machine when in operation or it works abnormally, stop the machine immediately and contact Phal Bok System to get technical direction.
- * Do not operate the machine in such a manner as prohibited or not instructed in Service Manual.
- * We are entirely not responsible for any breakdown and bodily injuries caused by installation, operation and repair not conforming to the Service Manual. With respect to what is not specified in MANUAL, please inform us for confirmation.



It indicates first-hand exposure to danger
Likely to cause death or serious injury.



It indicates potentially dangerous situation.
Likely to cause serious injury or equipment failure.



It indicates potentially dangerous situation.
Likely to cause mild injury or equipment failure.



It indicates necessary and useful information
required for operation and repair.

(2) Mechanical operators Requirements

- * Workers to meet the following requirements are allowed to operate and repair the machine.
 - ① Qualified worker
 - ② Delegated worker
 - ③ Educated worker

(3) Important caution for safety

◆ Transfer of equipment



- ⦿ Do not raise or transfer the machine without being supported by mechanical lift.

◆ Wearing protective equipment



- ⦿ When installing, operating and repairing HOT MELT APPLICATOR or working around it, please be sure to wear protective goggle, gloves (made of leather) and clothes.

◆ Danger of high pressure ejection



- ⦿ Ejection of high pressure melt resin is likely to cause injury like burn. Do not operate the machine in such a manner as prohibited or not instructed in Service Manual.

◆ Prohibition from operating the machine



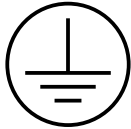
- ⦿ Personnel without having professional education is not allowed to handle the machine.

◆ Safety cover



- ⦿ Stop operating the machine before opening cover.

◆ Grounding.



◆ Electrical hazard.



- ⦿ Before operation, close the machine with locking device.
- ⦿ Turn off power before approaching electrical equipment.

◆ Familiarity with service manual.



- ⦿ Before installation and operation of the system, get familiarized with service manual.

◆ Burn hazard (hand off, do not touch)



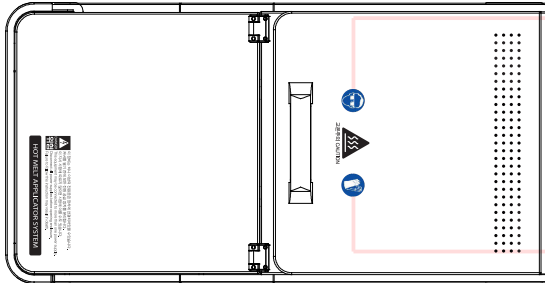
- ⦿ After cutting off power, wait to operate the machine until temperature will go down.

◆ Caution

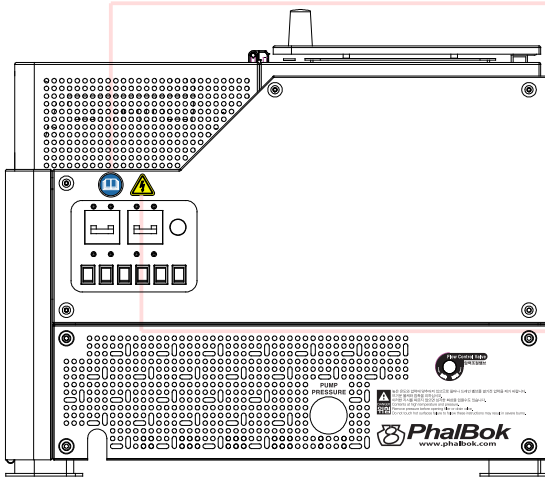


- ⦿ Stop operating the machine before opening cover.
- ⦿ When replacing filter, remove pressure.
- ⦿ Do not touch the surface which is hot.
- ⦿ Failure to follow this instruction may cause burn hazard etc.

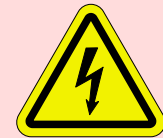
(4) Position of label.



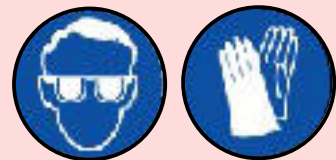
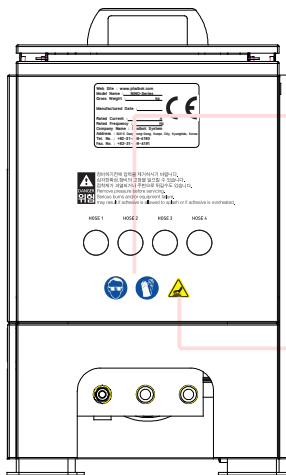
◆ WEARING
PROTECTIVE GEARS.



◆ READ OPERATOR'S
MANUAL.



◆ HAZARDOUS
VOLTAGE.



◆ WEARING
PROTECTIVE GEARS.



◆ BURN HAZARD OF
SURFACE TEMPERATURE.

2. Outline of NINO SERIES HOT MELT APPLICATOR

NINO SERIES of PhalBok System are designed intended for adhesion or sealing by automatic or manual injection using pumping after melting adhesives. MELT UNIT is composed of tank where adhesives are molten, GEARED MOTOR and GEAR PUMP necessary for pumping, temperature controller, electrical facilities, enclosure etc.

- * NINO SERIES is capable of pumping molten adhesive made of EVA , rubber , Polyurethane , Polyamide , Polyester and thermoplastic Plastics.
- * It enables Teflon coating inside the tank, thereby varying physical properties of adhesive and carbonizing adhesive. MELT GRIDE boosts MELT RATE by increasing thermal conduction from heater.
- * PUMPING SYSTEM enables its geared motor to set gear pump in motion and adjusts pressure and discharge by flow control valve.
- * NINO-SERIES can use either of 1 – 2 HOSE & GUN or 1 – 4 HOSE & GUN or 1 – 6 Hose & Gun, depending upon model of temperature controller.
- * Temperature control system in frontal part uses RTD Sensor. Temperatures of respective parts are shown in digital Composed of main breaker, Pump Breaker, temperature control system etc. QUICK CONNECT is used to make easy electrical connection with and disconnection from HOSE.
- * User is required to supply incidental facilities such as main power supply and injection control system
- * MELT UNIT in NINO SERIES has the following built-in safety systems.
 1. S/W & LAMP to prevent temperature from excessively rising, which blocks the supply of electrical power to tank heater : prevent tank from being over-heated by failure of temperature controller in tank or over-temperature setting in tank.
 2. to protect PUMP and MOTOR, temperature controller OPERATION Contact point built-in BREAKER SWITCH works to prevent overload.
 3. Breaker and fuse, which prevents electrical overload of MELT UNIT and power failure at a time of short circuit.
- * With simple mechanical structure and high reliability, NINO SERIES can be used as common tool to do all works due to easy detection of failure and easy repair.

3. Installation of NINO–SERIES HOT MELT APPLICATOR

(1) Installation of MELT UNIT

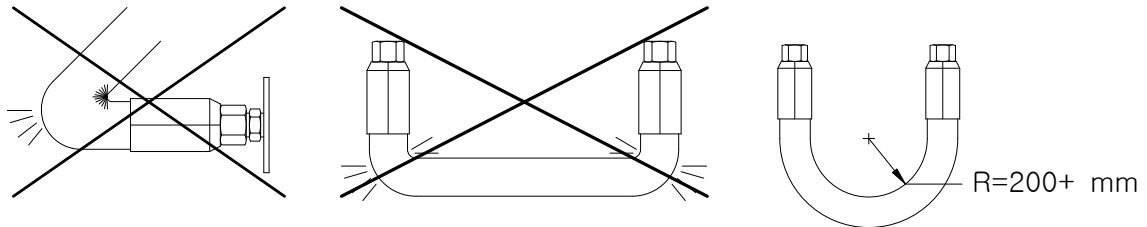
- ① HOT MELT TANK is to be horizontally installed at place where it is not exposed to vibration and convenient to control and operate, and solidly assembled through mountain hole on the floor (to be solidly installed to prevent overturning or moving)
- ② Hot Melt tank is to be installed at a place where it is not influenced by external wind.
Ex) a. Not where it is directly exposed to wind through window.
b. Not within the reach of wind generated by electrical fan, air conditioner, control box FAN etc.
c. at a place elevated from the floor.
(for protection of the machine and at a time of floor being cleaned using water)

(2) Installation of Hot MELT HOSE

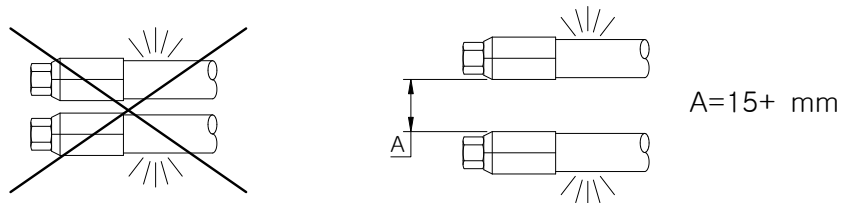
- ① Hose is to be assembled or disassembled after HOT MELT is molten by heat.
(When it is bended at bend radius of less than 200mm, inner base materials , Heater and the like may deviate from the position or be broken)
- ② While Hose is being assembled or disassembled, tank may be lifted or tilted to the extent that Hot Melt in the tank does not spill over.
- ③ When assembled or disassembled, hose should not be twisted.
- ④ When hose is installed, its minimum bend radius shall exceed at least 200mm.
(If bent unmolten, hose may be broken)
- ⑤ When suspended from ceiling or pillar, any part of hose should not be tightened or hindered from radiating heat. (At this time, use HOSE BAND)

*** Cares to be taken when installing Hot melt hose ***

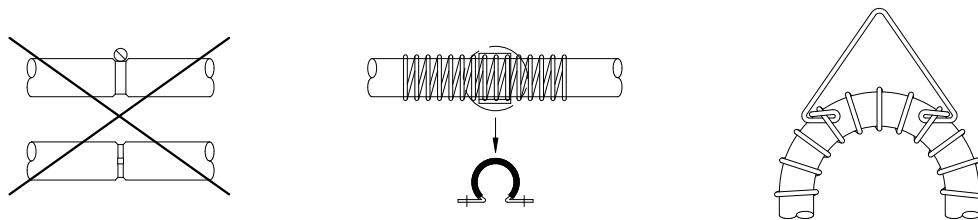
1) HOSE is to be installed with bent part of not less than 200mm.



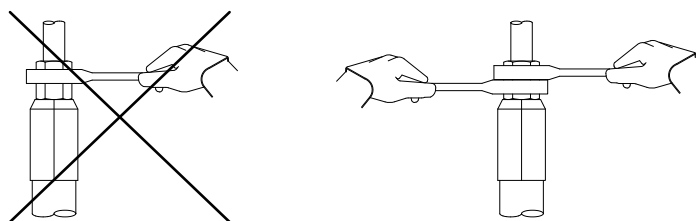
2) When two+ hoses are used, they should be 15+ mm far away from each other for a safety's sake.



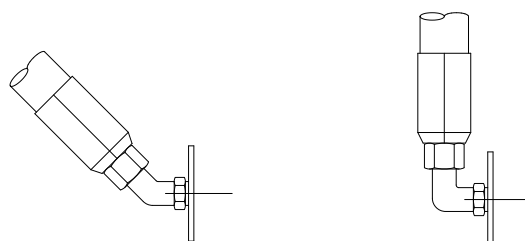
3) If any part of hose is fixed, it should not be tightened or kept from radiating heat.



4) When connected with tank or gun, hose should be assembled by holding nipples at both tips of hose. If assembled by holding nipple at either tip, hose may be or is expected to be broken caused by twisting.



5) At a time of hose being connected, nipples appropriate for intended purpose should be chosen.



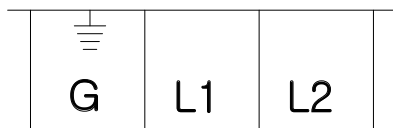
4. Example of electrical wiring

(1) MAIN POWER DISTRIBUTING WIRE

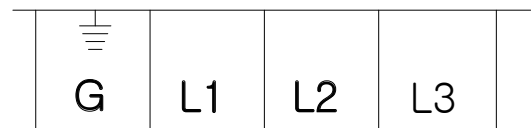
※ Be sure to check the electrical specifications of the machine and connect it correctly ※

- ① MELT APPLICATOR should be supplied power in a single-phase 1φ, three-phase 3φ 220vac, 380vac ,50/60Hz, absolutely with grounding for safety's sake.
- ② Thickness of electrical wires to be connected with main power depends upon capacity of MELT APPLICATOR.
- ③ MAIN POWER CONNECTION METHOD.

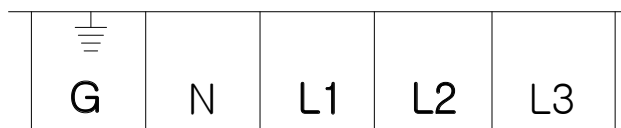
ex) ① Single-phase 1φ 220[VAC]



② Three-phase 3φ 220[VAC]



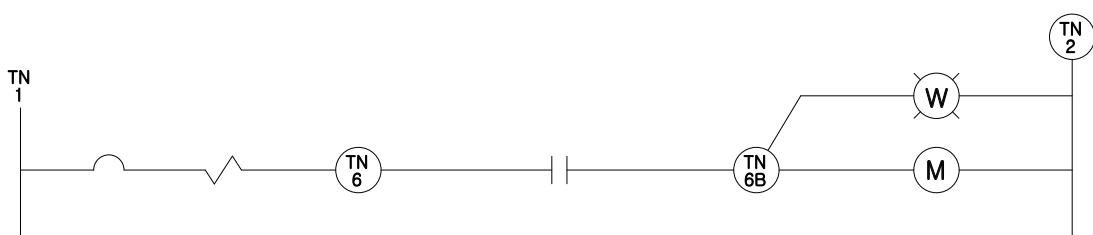
③ Three-phase 3φ 380[VAC]





G terminal should be grounded.

(2) INTERLOCK circuit between Hot Melt APPLICATOR Pump Motor and main machine

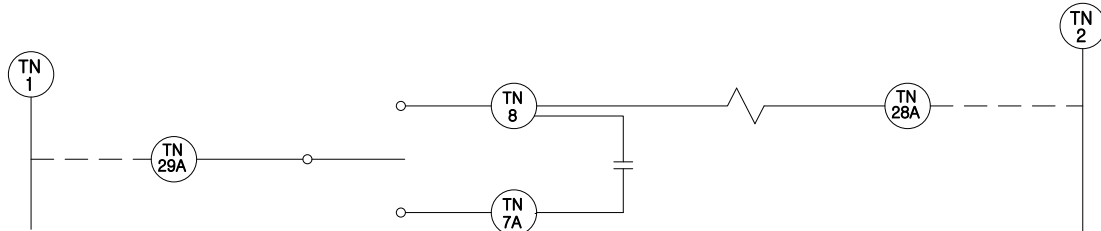
- ① In case main machine comes to emergency halt or stops working (during mealtime or break), it secures safety, helps energy saving and extended longevity of the machine by electrical configuration of INTERLOCK circuit between PUMP MOTOR and main machine.
- ② EXAMPLE OF ELECTRIC CIRCUIT INTERLOCK



The machine is released from the factory with input contact point for operation connected with  and .

③ Electrical wiring of Solenoid coil in Auto Gun

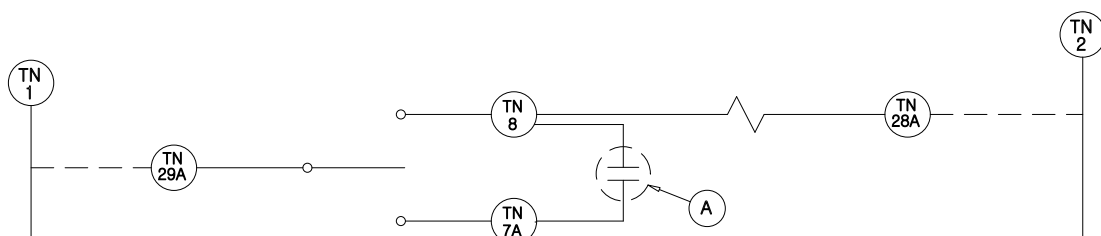
- ◆ When Solenoid coil in AC 110V is used.



- ◆ When Solenoid coil in single-phase AC 110V is used.
AC 110V electrical power is separately connected with Terminal block 29A and 28A. If terminal block 1 & 29A and 2 & 28A are jumped, be sure that jumping lines should be eliminated.

- ◆ When DC Driver is used.
Output terminal No. 3 and 4 in DC Driver are to be connected with Tank terminal No. 29A and 28A, respectively. Tank terminal No. 8 and 7A are to be jumped. If terminal block 1 & 29A and 2 & 28A are jumped, (be sure that jumping lines should be eliminated)

- ◆ When Solenoid coil in AC 220V is used.



- ◆ Terminal No. 1 and 29A are to be jumped with terminal No. 2 and 28A, respectively.
- ◆ Relay contact point is to be connected with (A) in main machine.

- ◆ When Air Solenoid coil in DC 24V is used
 - ◆ When DC 24V is output from main machine, it is connected with terminal of Air Solenoid coil.
 - ◆ When DC Driver is used, DC power output from DC output driver terminal No. 3 and 4 is to be connected with terminal of Air Solenoid coil. Relay contact point or sensor output is to be connected with DC driver terminal No. 6 and 8.
- ◆ For works requiring to be done at high speed or using high pressure and high viscosity, it is better use DC Driver.

- ◆ Solenoid coil in Auto Gun needs to be removed from the main machine.

5. Operation

(1) Cares to be taken prior to operation

- ① Final checking is required with respect to how tank, hose and gun are installed and electrical circuit prior to operation.
- ② Remove fire hazards and dangerous articles inside or around HOT MELT System tank.
- ③ Consult with the manufacturer as to how to use HOT MELT (adhesive).
- ④ After turn on main power S/W in MELT Unit. Tank, Hose, Gun temperature are set. Generally, temperature of AUTO GUN is to be set at one recommended by manufacturer. HOSE temperature is to be set at 5°C – 10°C lower than that of GUN and temperature of Tank to be set at 5°C – 10°C lower than that of hose.
- ⑤ After being turned on, the machine is preheated for 30– 60 minutes, varying depending upon voltage condition, ambient temperature, type of HOT MELT adhesive (EVA, POLYAMIDE, POLYESTER, APP, RUBBER and so on BASE POLYMER).. Select most suitable pre-heating time.
- ⑥ After checking if there remain foreign articles inside the TANK, fill the tank up to 5cm from the top with HOT MELT adhesive recommended by its manufacturer. (restriction on carbonization inside the tank)
- ⑦ As use of replacement adhesives (there is a concern that different adhesives may be mixed) or cleaners are likely to cause heat, flame, toxic gas, poor adhesion or mixing , consult with the manufacturer before replacement or using cleaners.
- ⑧ Liquid or gas to be used for the purpose of cleaning or preventing carbonization inside the tank should be non-inflammable at operating temperature.

◎ Caution and reference

- ① As HOT MELT ADHSIVE undergoes gradual chemical changes in designated operating temperature over time, do not have it pre-heated more than is necessary. (Gelation, carbonization retardation, energy saving)
- ② Do not fill in tank with too much HOT MELT ADHESIVE to spill over.
- ③ Use HOT MELT Adhesive in temperature as lowest as possible with reference to one designated by its manufacturer. (prevention of carbonization and energy saving)
- ④ Adjust FLOW CONTROL VALVE to limit supply of HOT MELT Adhesive to a minimum quantity. (Prevention of motor overload and GEAR PUMP abrasion)

(2) Operation

- ① Check to see if respective temperature of Tank, Hose and Gun reach those set.
- ② Check if Hot melt adhesive inside the tank is molten enough to be for minimal use.
- ③ Be sure to check if HOT MELT ADHESIVE inside the tank is molten enough to enable DRIVE SHAFT to rotate.
- ④ Then, switch PUMP on and start to work automatically or manually.
- ⑤ After pumping is done, switch the pump off and then turn main switch off.
- ⑥ How to adjust injection of Hot melt adhesive.



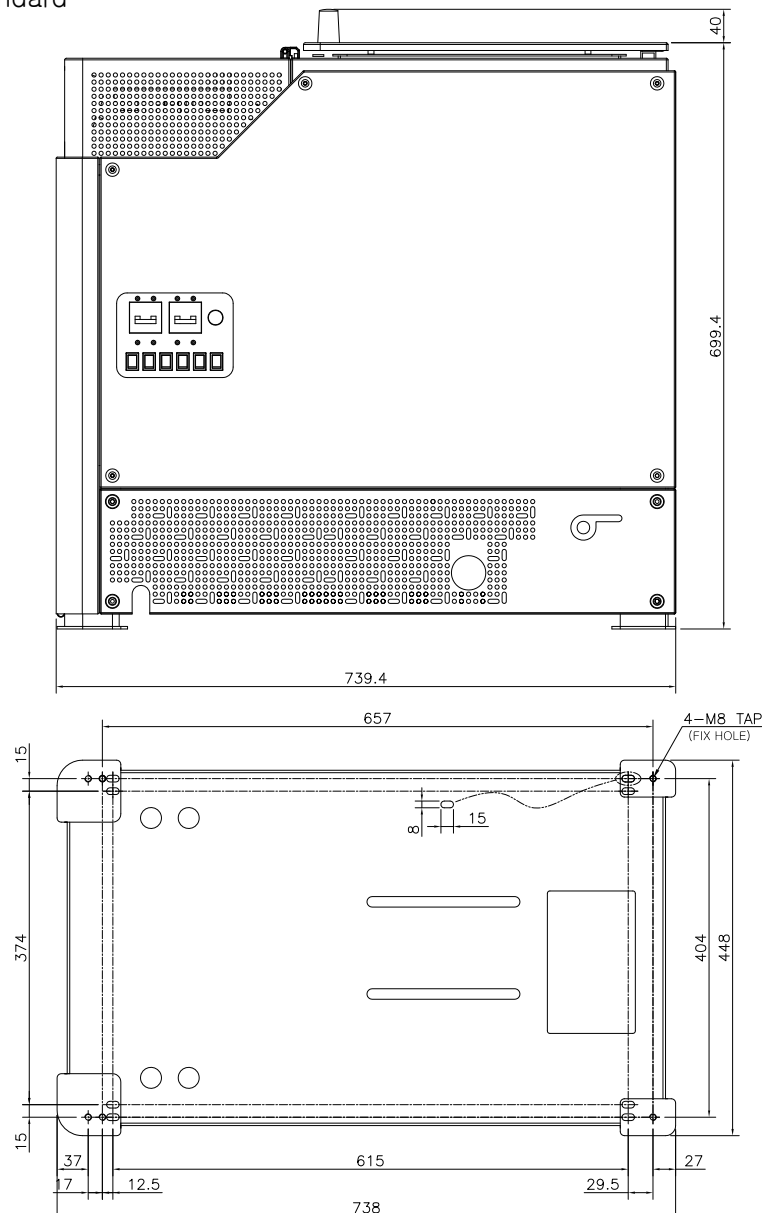
- o When injection is not enough
turn F.C.V clockwise with 6mm L wrench,
enabling it to discharge optimal amount
- o When injection is excessive
turn F.C.V counterclockwise with 6mm L wrench,
enabling it to discharge optimal amount.

※ Caution

If F.C.V is fully shut off, be careful that AG-2000 GUN may not work due to high pressure of discharged melt. Then, turn F.C.V counterclockwise. Do not shut off F.C.V completely.

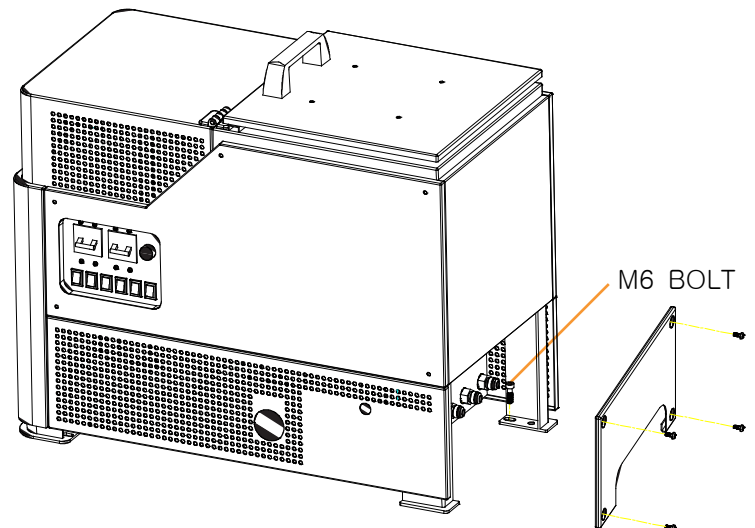
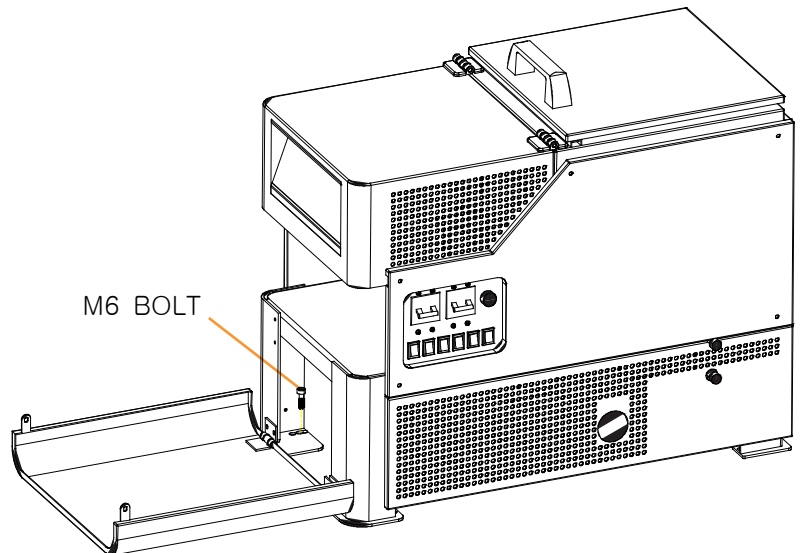
6. MODEL NINO-45 Details and (SPECIFICATION)

◆ Operating viscosity	:	50,000 CPS
◆ TANK capacity	:	45 Kg (99.2 lbs)
◆ MELT RATE	:	25 Kg / hr
◆ Maximum available temperature	:	normal - 230 °C (highest 250°C)
		(OPERATING TEMPERATURE RANGE)
◆ Temperature deviation	:	± 1 °C
◆ PUMP pressure	:	0 - 70 Kg/cm ² (MAX)
◆ HOSE quantity	:	1 - 6 EA (OPTIONAL)
◆ Electrical power	:	"Refer to electrical drawings"
◆ MELT UNIT weight	:	130 Kg
◆ Sound pressure level	:	65 dB(A)
◆ MELT UNIT standard	:	

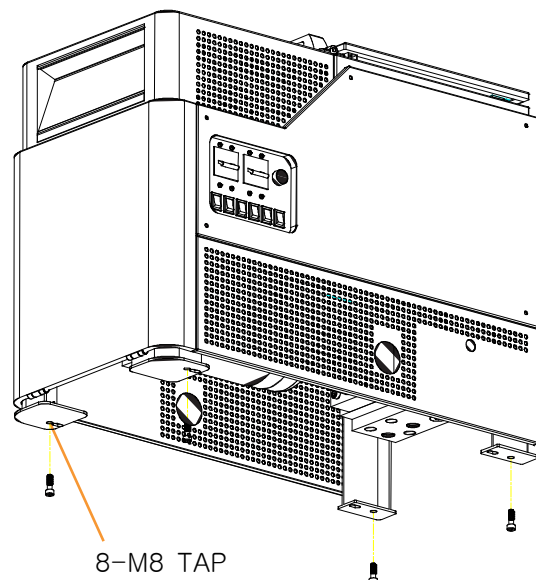


6-1. How to fix NINO SERIES

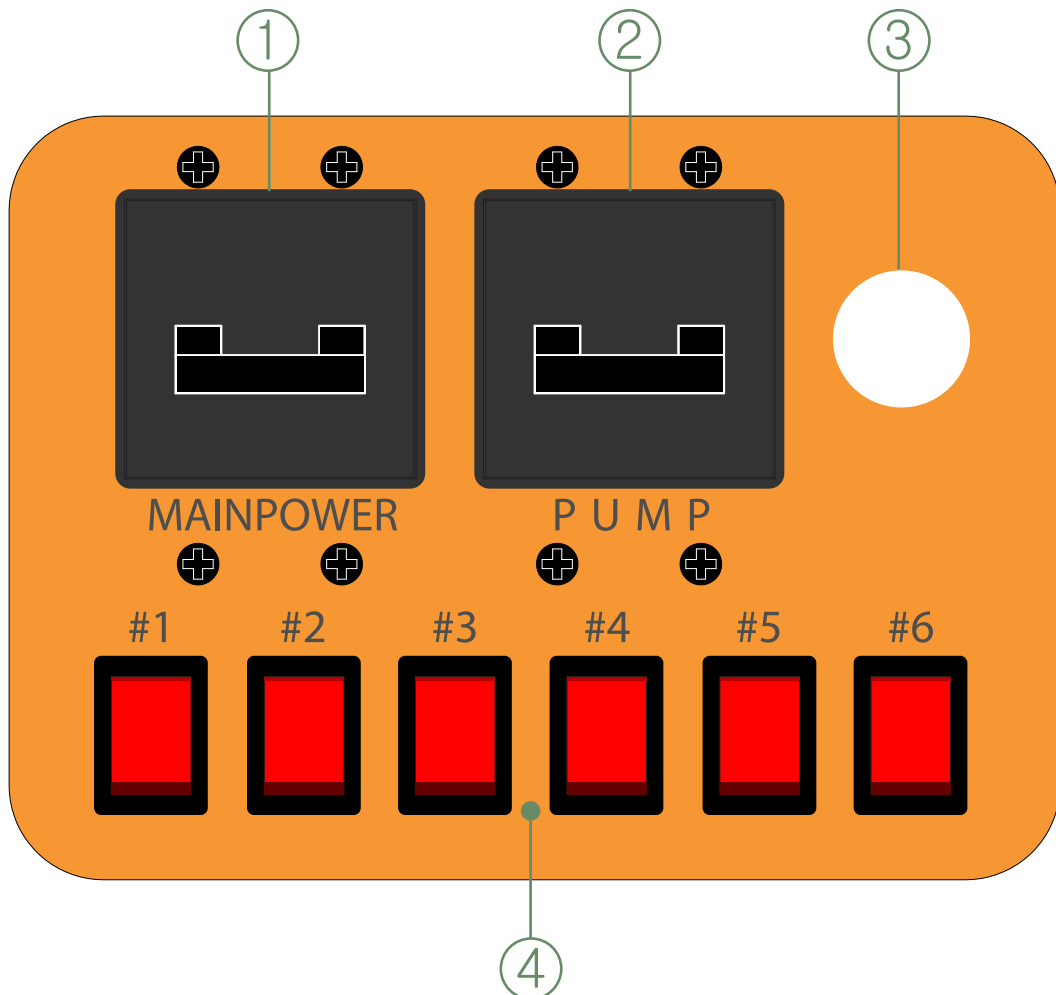
- ◆ Fixing from inside
Open cover in front and rear part and fix using M6 BOLT.



- ◆ Fixing from outside
Fix using M8 BOLT.



7-1. Main switch Panel control equipment and pilot lamp



- ① ①□Main power S/W (Breaker) (20A)
It blocks the power supply at a time of short-circuit due to overload.
- ② Pump motor S/W (4A)
Motor is usually switched on/off. When pump is overloaded, power is to be cut off from motor to protect pump and motor.
- ③ PUMP ON/OFF LAMP
With Pump Motor S/W on, lamp is turned on with pump in motion.
- ④ S/W & Lamp to enable Solenoid Coil to work (Option : 2 - 6 EA)
S/W should be turned on to enable Solenoid Coil to work.

7-2. Explanation about various electrical parts

◆ TANK HEATER



◆ HEATER standard

- o Rated voltage : 220 [VAC]
- o Caloric value (W) : 1000W x 6
- o Length (L) : 350 [mm]

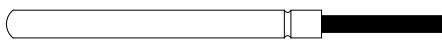
◆ FILTER BLOCK HEATER



◆ HEATER standard

- o Rated voltage : 220 [VAC]
- o Caloric value (W) : 800W x 1
- o Length (L) : 200 [mm]

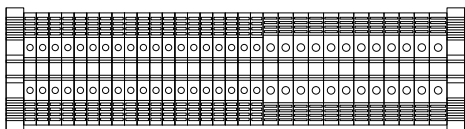
◆ RTD SENSOR



◆ SENSOR standard

- o Type : PT TYPE
- o Length (L) : 30 [mm]

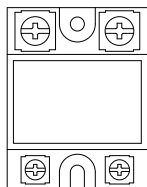
◆ TERMINAL (NINO-8)



◆ TERMINAL standard

- o MAIN TERMINAL
 - Voltage : 750 [VAC]
 - Current : 32[A]
- o SPARE TERMINAL
 - Voltage : 500 [VAC]
 - Current : 17.5 [A]

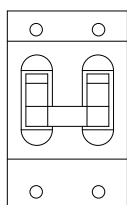
◆ S . S . R



◆ TANK S.S.R standard

- o Input voltage : 3 - 32 [VDC]
- o Output voltage : 240 [VAC]
- o Current : 50 [A]

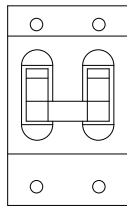
◆ MAIN SWITCH (NINO-8)



◆ MAIN SWITCH standard

- o Voltage : 220 [VAC]
- o Current : 20 [A]
- o Type : MS TYPE

◆ PUMP SWITCH



◆ PUMP SWITCH standard

- o Voltage : 220 [VAC]
- o Current : 4 [A]
- o TYPE : MS TYPE

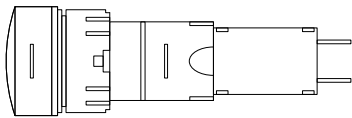
◆ TANK FILTER



◆ FILTER standard

- o 60 MASH

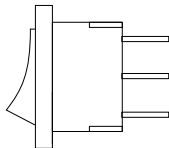
◆ PUMP SWITCH LAMP



◆ PUMP SWITCH LAMP standard

- o Voltage : 220 [VAC]
- o Color : White

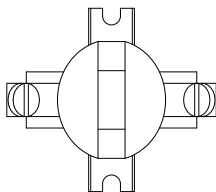
◆ HAT SWITCH



◆ HAT SWITCH standard

- o Voltage : 250 [VAC]
- o Current : 6 [A]

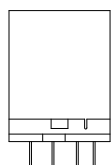
◆ OVERTEMP SWITCH



◆ OVERTEMP SWITCH

- o It turns off when overheated in 450 +°F (highest temperature 485°F)
- o With S/W Off, power supply is cut off from TANK HEATER. When safety is ensured with temperature down, S/W is turned on.
- o Used in preventing TANK from being overheated.

◆ RELAY



◆ RELAY

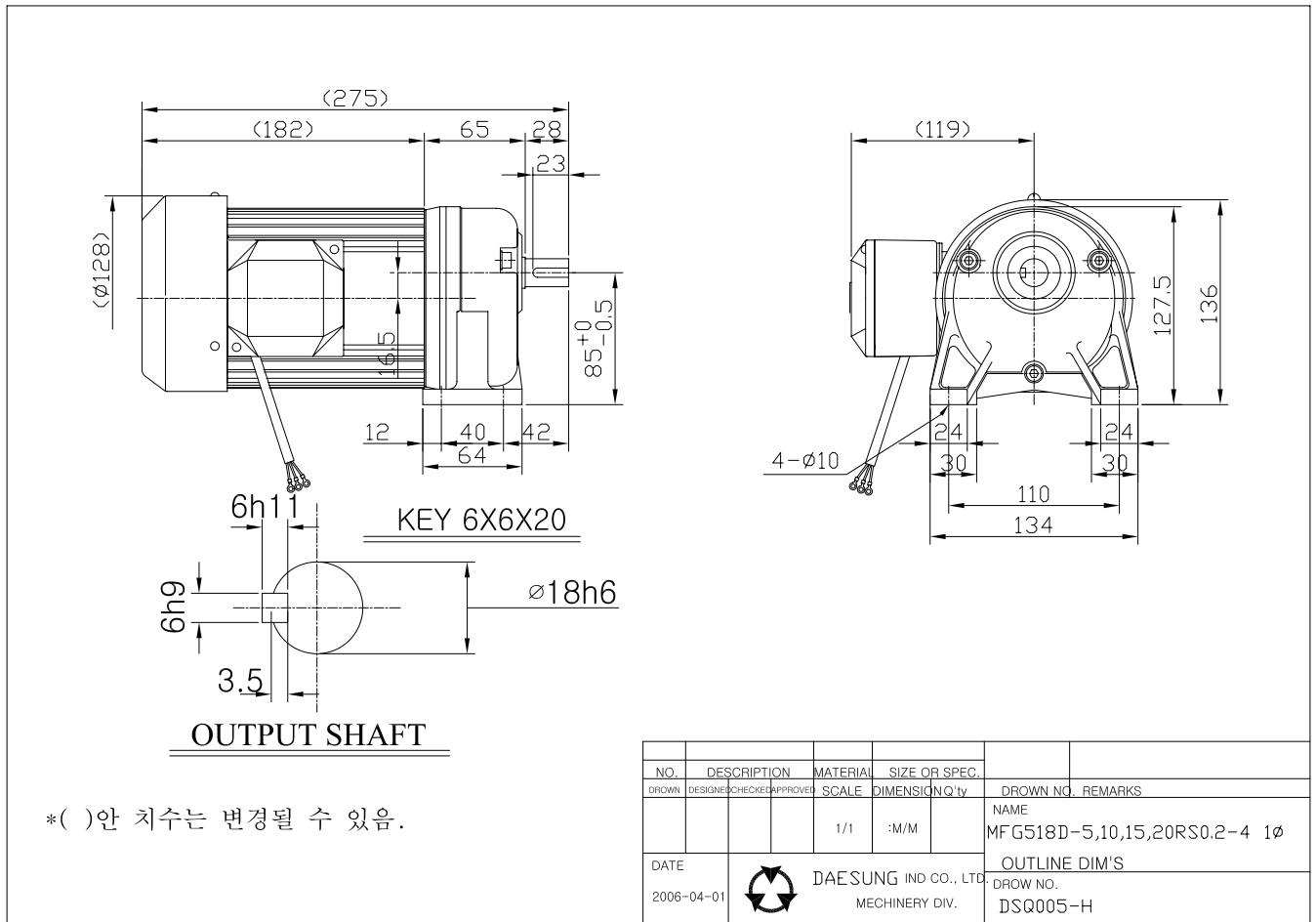
- o When OPERATION SIGNAL comes in, it is used as contact point.(Role of starting motor)
- o Voltage : 220 [VAC]

◆ TEFRON WIRE

◆ TEFRON WIRE

- o Teflon wire resistant to high temperature.

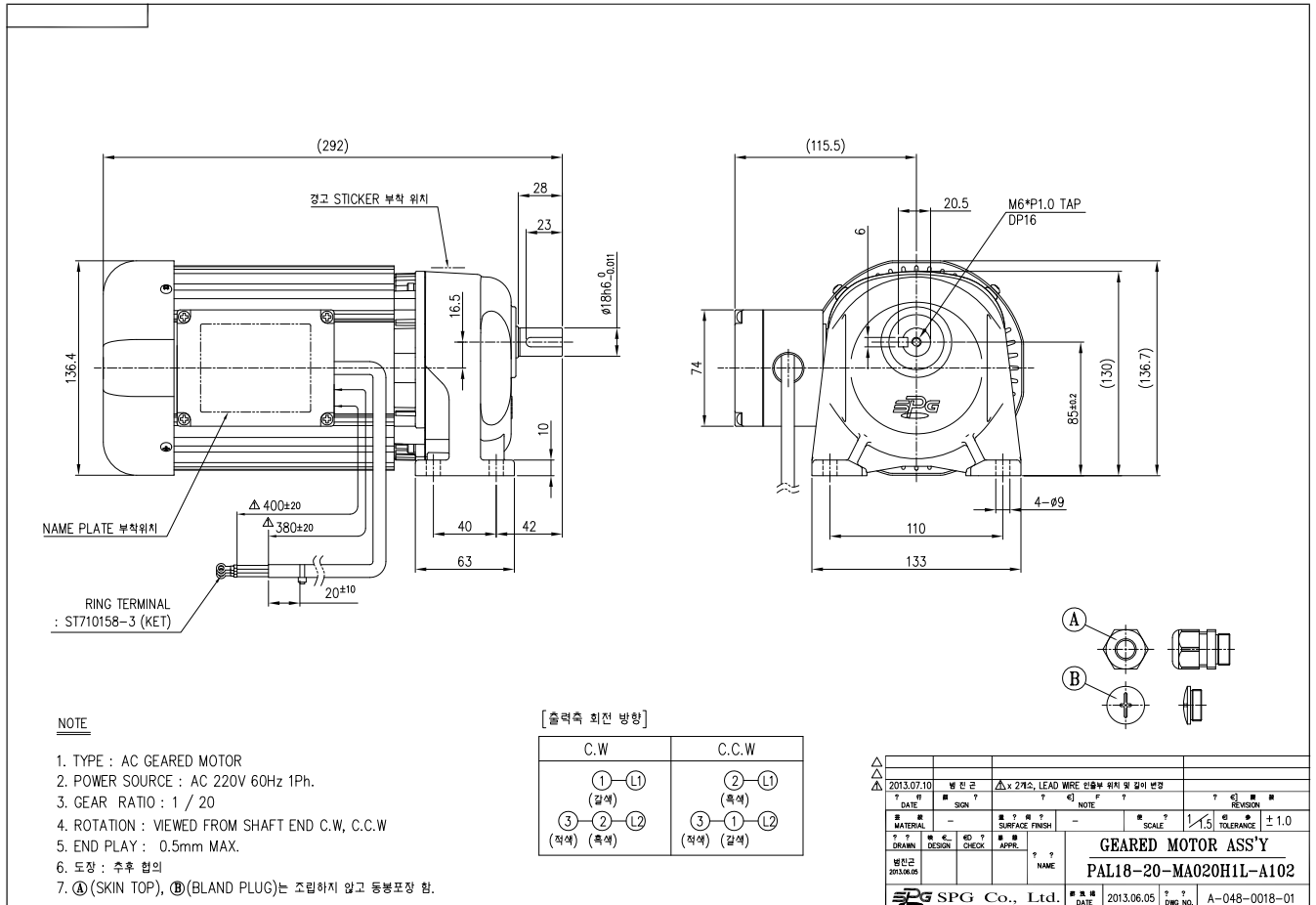
7-3. Motor specification and characteristics



- o single-phase geared motor
- o Rated voltage : 220 VAC
- o Rated current : 3.1 [A]
- o Number of revolution : 87 r.p.m
- o Frequency : 50Hz () / 60Hz ()
- o Rated output : 0.2 Kw, 1/4 HP
- o Gear rate : 20 : 1

- ◆ Care to be taken that single-phase geared motor not be overloaded while being used.
- ◆ Motor should not be rotated until temperature for safe operation of the machine is reached.
- ◆ Hot melt should be molten enough to enable motor to rotate.
- ◆ Motor should use rated voltage and rated current.

7-3. Motor specification and characteristics

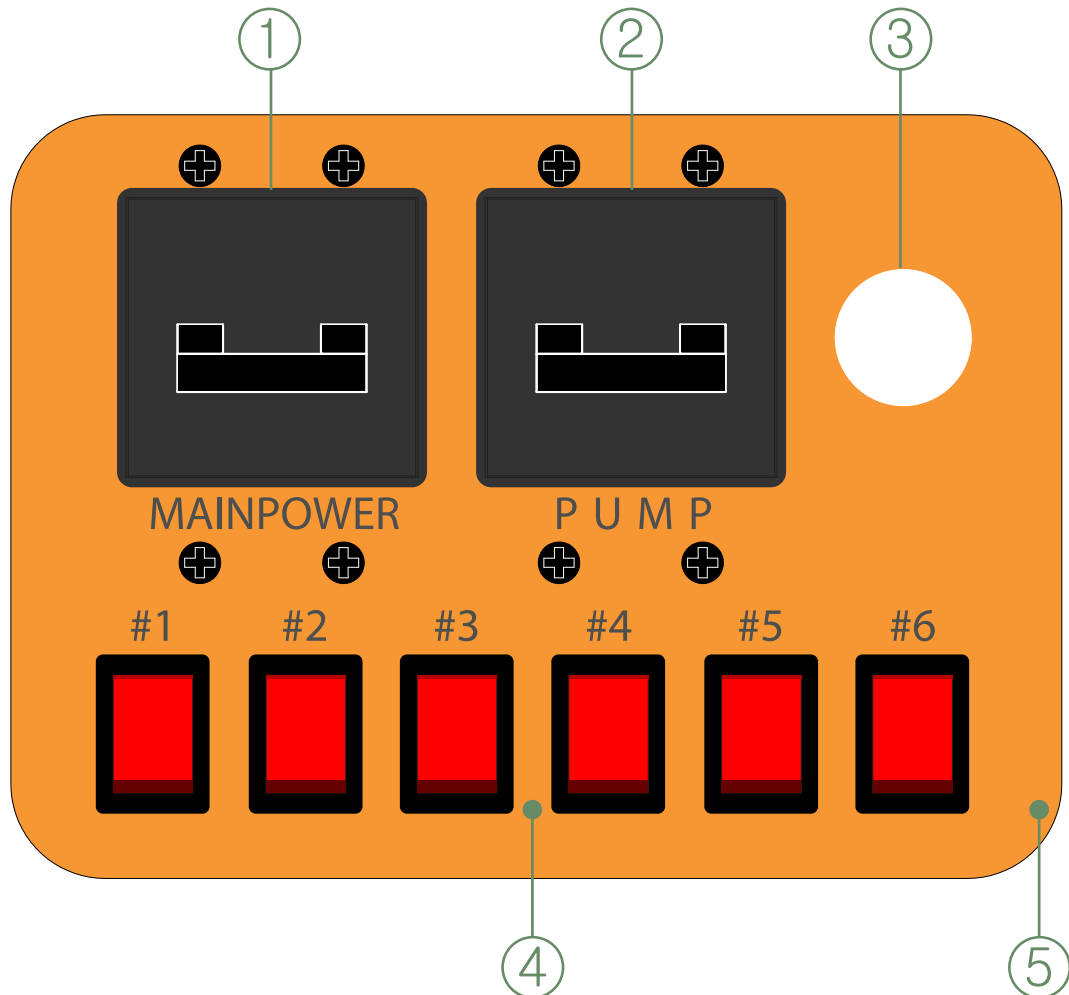


- o single-phase geared motor
- o Rated voltage : 220 VAC
- o Rated current : 3.1[A]
- o Number of revolution : 87 r.p.m
- o Frequency : 50Hz () / 60Hz ()
- o Rated output : 0.2 Kw, 1/4 HP
- o Gear rate : 20 : 1

- ◆ Care to be taken that single-phase geared motor not be overloaded while being used.
- ◆ Motor should not be rotated until temperature for safe operation of the machine is reached.
- ◆ Hot melt should be molten enough to enable motor to rotate.
- ◆ Motor should use rated voltage and rated current.

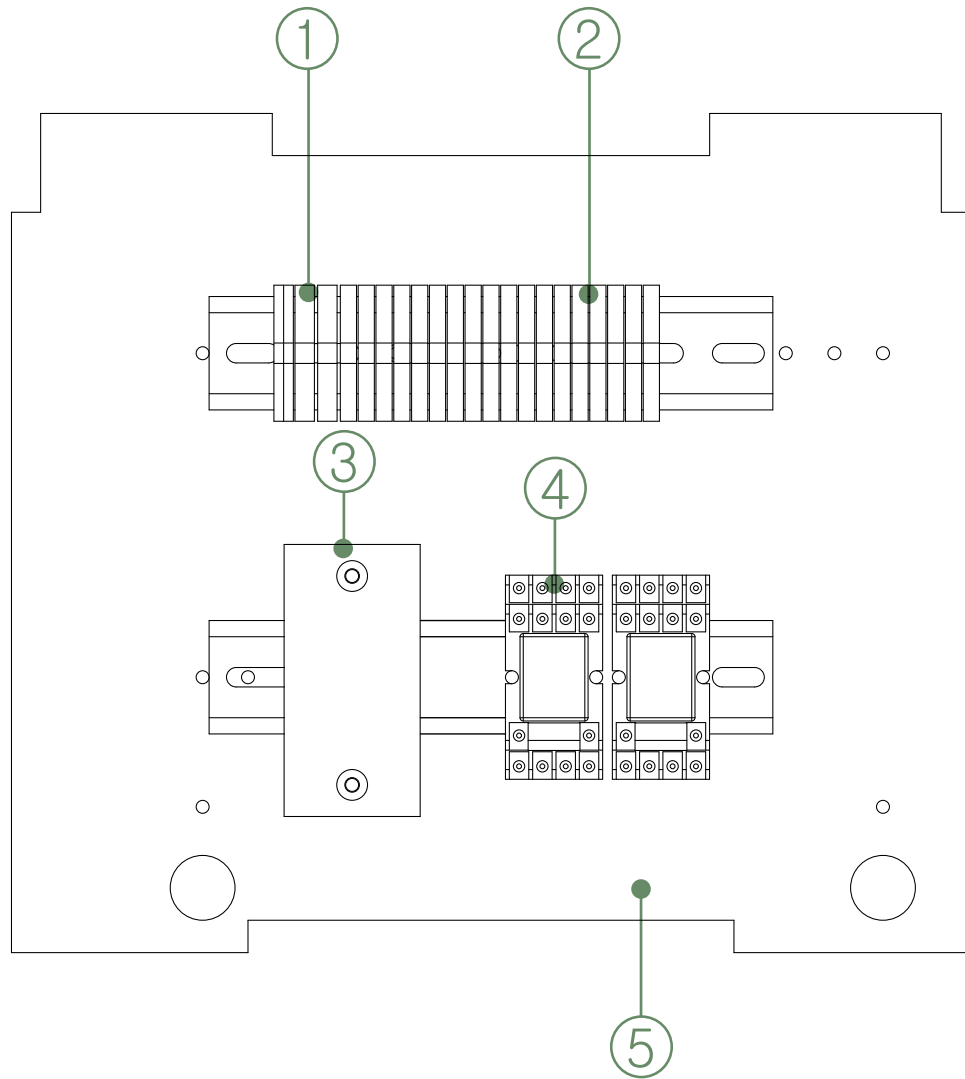
8. PART LIST

(1) MAIN SWITCH PANEL



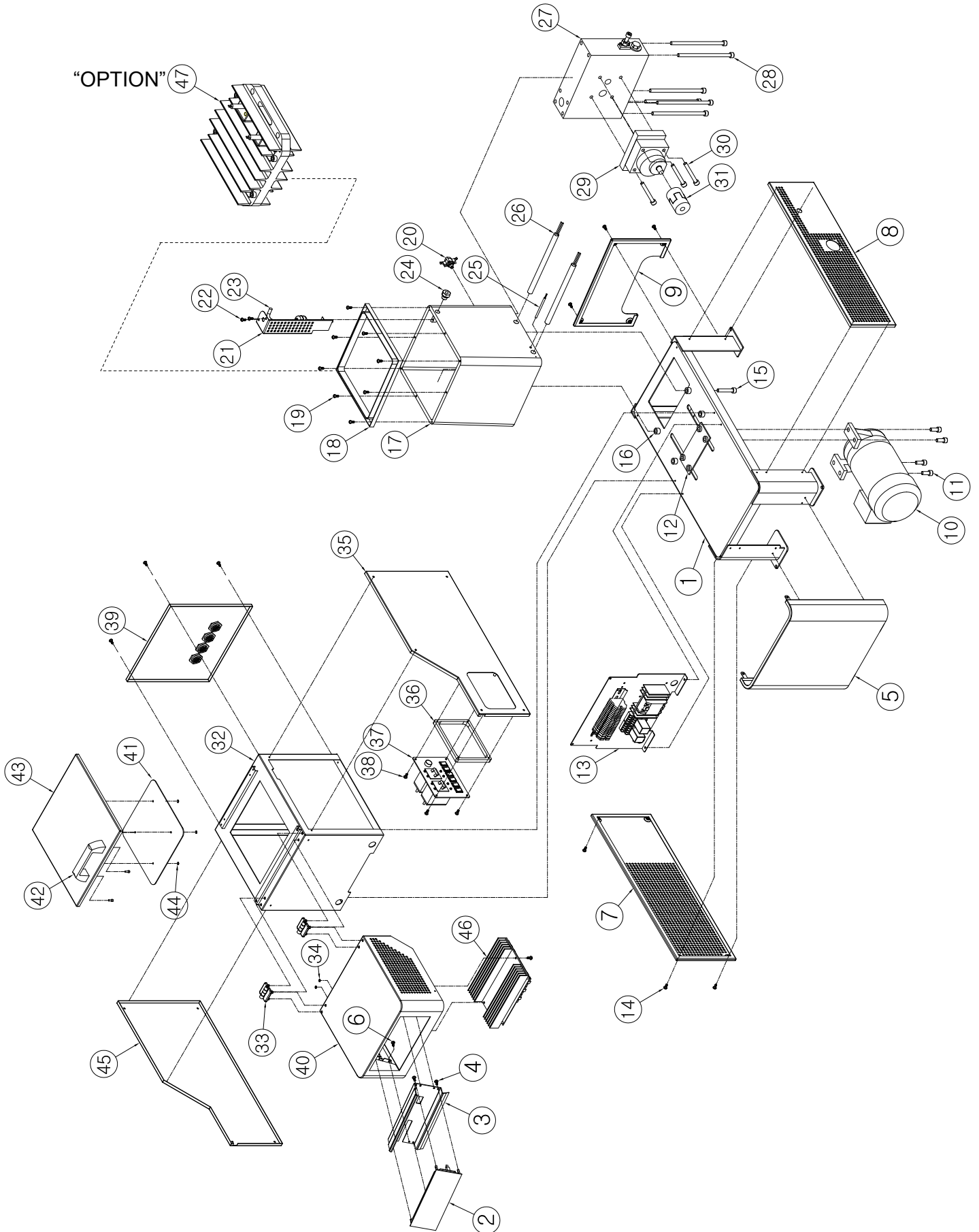
No.	Part No.	INDIBATOR
1	911203	POWER ON/OFF SWITCH (20A)
2	911204	PUMP ON/OFF SWITCH (4A)
3	911205	PUMP LAMP
4	911308	HAT SWITCH
5	961509	MAIN SWITCH PANEL

(2) FRONT INNER PANEL



No.	Part No.	INDIBATOR
1	912202	POWER TERMINAL
2	912203	TERMINAL
3	912205	S.S.R
4		RELAY
5	961450	EL WIRE PLATE

(3) Disassembly drawing and explanation for NINO TANK



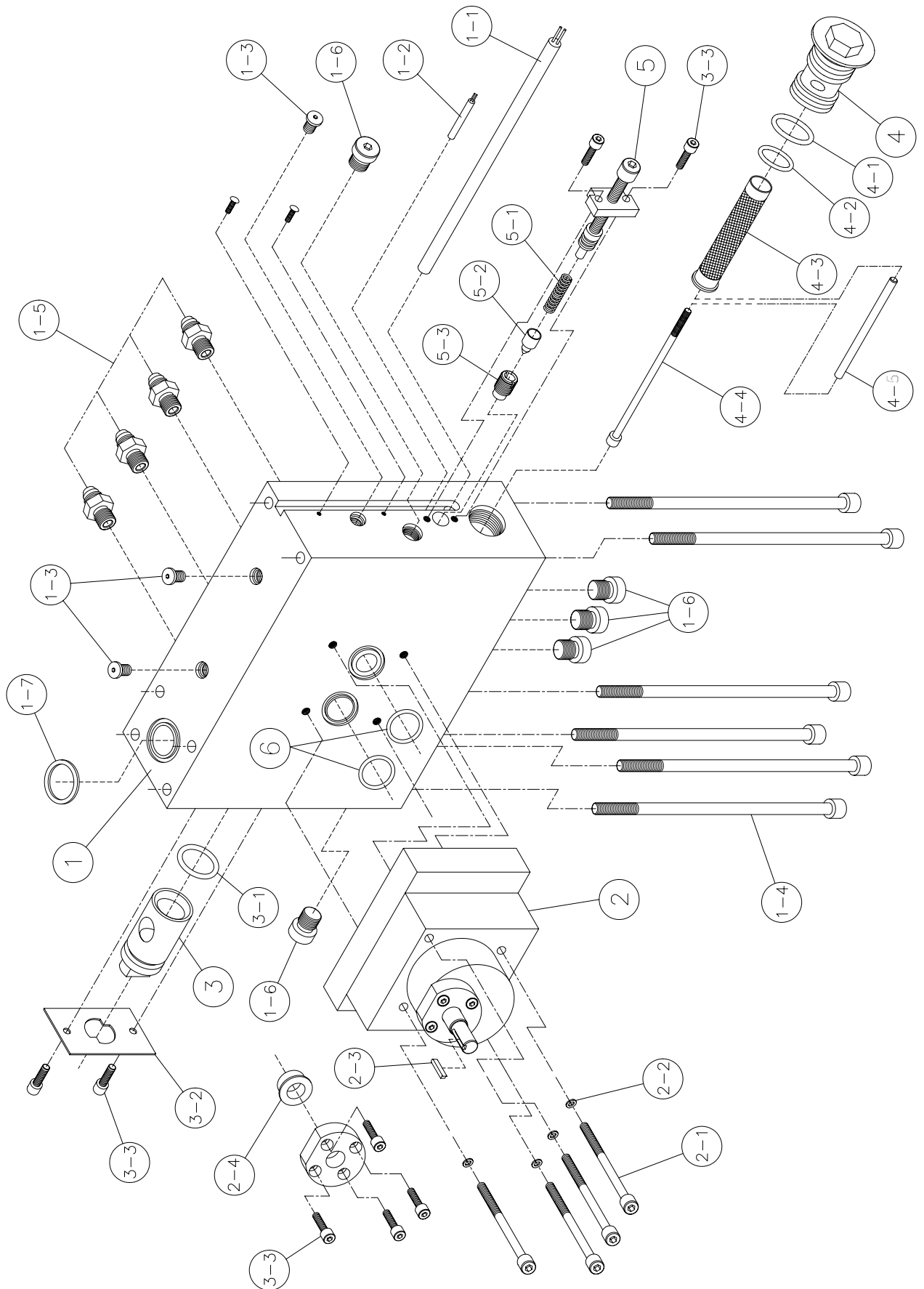
◆ Disassembly drawing and explanation for NINO TANK

NO	Q'TY	PART / NO	CONTENT / SPEC'
1	1	2961601	MAIN BASE FRAME
2	1	961102-1 961102-2 961102-3	TCS-500-1 TCS-500-2 TCS-500-3
3	1	961103	TEMP' CON BRACKET
4	4	41C03008	SUS BOLT (M3 x 8L)
5	1	2961602	FRONT COVER
6	4	41C04006	SUS BOLT (M4 x 6L)
7	1	2961603	SIDE DWON COVER L
8	1	2961604	SIDE DWON COVER R
9	1	2961605	BACK DWON COVER
10	1		MOTOR
11	4	41A08020	WRENCH BOLT (M8 x 20L)
12	1	961109	MOTOR MOVE GUIDE
13	1	2961606	ASS'Y EL WIRE PLATE
14	4	41C04010	SUS BOLT (M4 x 10L)
15	4	41A08025	WRENCH BOLT (M8 x 25L)
16	4	961111	TANK SLEEVE
17	1	961303	TANK
18	1	961113	TANK JOINT PLATE
19	8	41C04010	SUS BOLT (M4 x 10L)
20	1	919405-451	OVER TEMP SWITCH
21	1	961304	LEVEL SENSOR COVER
22	2	41C04010	SUS BOLT (M4 x 10L)
23	1	961116	LEVEL SENSOR
24	1	961117	LEVER SENSOR BLANK
25	1	914405	PT SENSOR
26	6	913407	HEATER 1000W

◆ Disassembly drawing and explanation for NINO TANK

NO	Q'TY	PART / NO	CONTENT / SPEC'
27	1	961118	ASS'Y PUMP BLOCK
28	4	41A08130	WRENCH BOLT (M8 x 130L)
29	1	961119	GPN-1 PUMP
30	4	41A06065	WRENCH BOLT (M6 x 65L)
31	1	914200-15	Oldham's Coupling (Spider : 914200-16)
32	1	2961607	BASE FRAME
33	2	BYHL4040-BK	HINGE (BUYOUNG)
34	4	41H06000	NUT (M6)
35	1	2961608	SIDE UP COVER R
36	1	961123	SWITCH EX BLOCK
37	1	961124	ASS'Y MAIN S/W PLATE
38	4	41C04010	SUS BOLT (M4 x 10L)
39	1	2961609	BACK UP COVER
40	1	2961610	TEMP' COVER
41	1	961127	TOP COVER IN PLATE
42	1	UPFN26-110-B	HAND GRIP (MISUMI)
43	1	2961611	TANK TOP COVER
44	4		E-RING (#4)
45	1	2961612	SIDE UP COVER L
46	1	961132-1 961132-2 961132-3	TEMP CON MODULE PCB-1 TEMP CON MODULE PCB-2 TEMP CON MODULE PCB-3
47	1	961616	GRID-45 (HEATER 3000W)

(4) Disassembly drawing and explanation for PUMP BLOCK



◆ Disassembly drawing and explanation for PUMP BLOCK

NO	Q'TY	PART / NO	CONTENT / SPEC'
1	1	961133	PUMP BLOCK
1-1	1	910402	HEATER 220V x 800W
1-2	1	910405	SENSOR PT 100Ω
1-3	3	461101	BLANK (M8)
1-4	6	413101	WRENCH BOLT (M8 x 170L)
1-5	4	474201	HOSE JOINT NIPPLE
1-6	5	461201	BLANK (PS 1/4")
1-7	1	521026	BACK UP RING
2	1	961119	GPN-1 PUMP
2-1	4	412113	WRENCH BOLT (M6 x 65L)
2-2	4	411301	SPRING WASHER
2-3	1	961133	KEY (3x3x15L)
2-4	1	510001	TEFLON SPRING SEAL
3	1	961134	STOPPER
3-1	1	512214	O-RING (AN-214)
3-2	1	961135	STOPPER COVER
3-3	8	412106	SUS BOLT (M5 x 8L)
4	1	961136	FILTER FIX BOLT
4-1	1	514022	O-RING (G-22)
4-2	1	512019	O-RING (AN-019)
4-3	1	961137	FILTER
4-4	1	41A04100	WRENCH BOLT (M4 x 100L)
4-5	1	961150	SUPPORT PIPE (∅6x90L)
5	1	412109	ASS'Y F.C.V BOLT (80mm)
5-1	1	914305	SPRING
5-2	1	914306	DAMPER
5-3	1	961138	INSERT BOLT
6	2	512021	O-RING (AN-021)

9. How to clean Melt unit

- ① After tank is heated at temperature available for use, HOT MELT should be completely removed from the tank by pumping and then, foreign and carbonized matters should be removed in the bottom, melt grid and wall.
2. Care should be taken that carbonized HOT MELT is carefully removed so that TEFLON COATING in the tank wall is not damaged.
- ③ Get carbonized matters thus removed out of the tank and put in solid paraffin. Have it molten, then circulate in the tank through hose and discharged out of the tank.
- ④ Separate filter from FILTER BLOCK for cleaning.
- ⑤ Assemble back FILTER and put HOT MELT in the tank. Have it molten and discharged out of the TANK. (If HOT MELT and paraffin are mixed, adhesiveness deteriorates.)

10. Finding problem and solution when using HOT MELT APPLICATOR

- ① No power in Tank.
 - o Check if main power is normally supplied to terminal L1,L2 in the tank.
 - o Check if MAIN SWITCH is in working condition.

- ② Despite normal power supply to the TANK, TEMP CONTROLLER does not work.
 - o Check if input FUSE(250V,5A) in TEMP CONTROLLER is in working condition.

- ③ When tank is not heated.
 - o Check if it is in rated voltage.
 - o Check Temperature CONTROLLER.
 - o Check S.S.R contact point inside the tank.
 - o Check if TANK HEATER is disconnected.

- ④ When it is not heated with OVER TEMP LAMP lit.
 - o Check if contact point in OVER TEMP SWITCH is in working condition.

- ⑤ When OVER TEMP LAMP is over-heated while working.
 - o Check TEMP CONTROLLER.
 - o Check S.S.R contact point in TANK HEATER.

- ⑥ When motor does not work in normal temperature.
 - o Check if contact point in TANK OPERATION relay is attached.

- ⑦ When pump does not work while MOTOR works normally.
 - o Check if MOTOR COUPLING is broken.
 - o Check if GEAR PUMP is broken.

- ⑧ When HOT MELT leaks from TANK and FILTER BLOCK.
 - o Check if BOLT is locked.
 - o Check if O-RING in Gear Pump is broken.

- ⑨ When Motor comes to a stop or is loaded during normal rotation.
 - o Check if temperature inside the TANK is normal.
 - o Check if F.C.V pressure is adjusted too high
 - o Check if there are too much carbonized matters in TANK FILTER.
It may cause load, leading to halt,

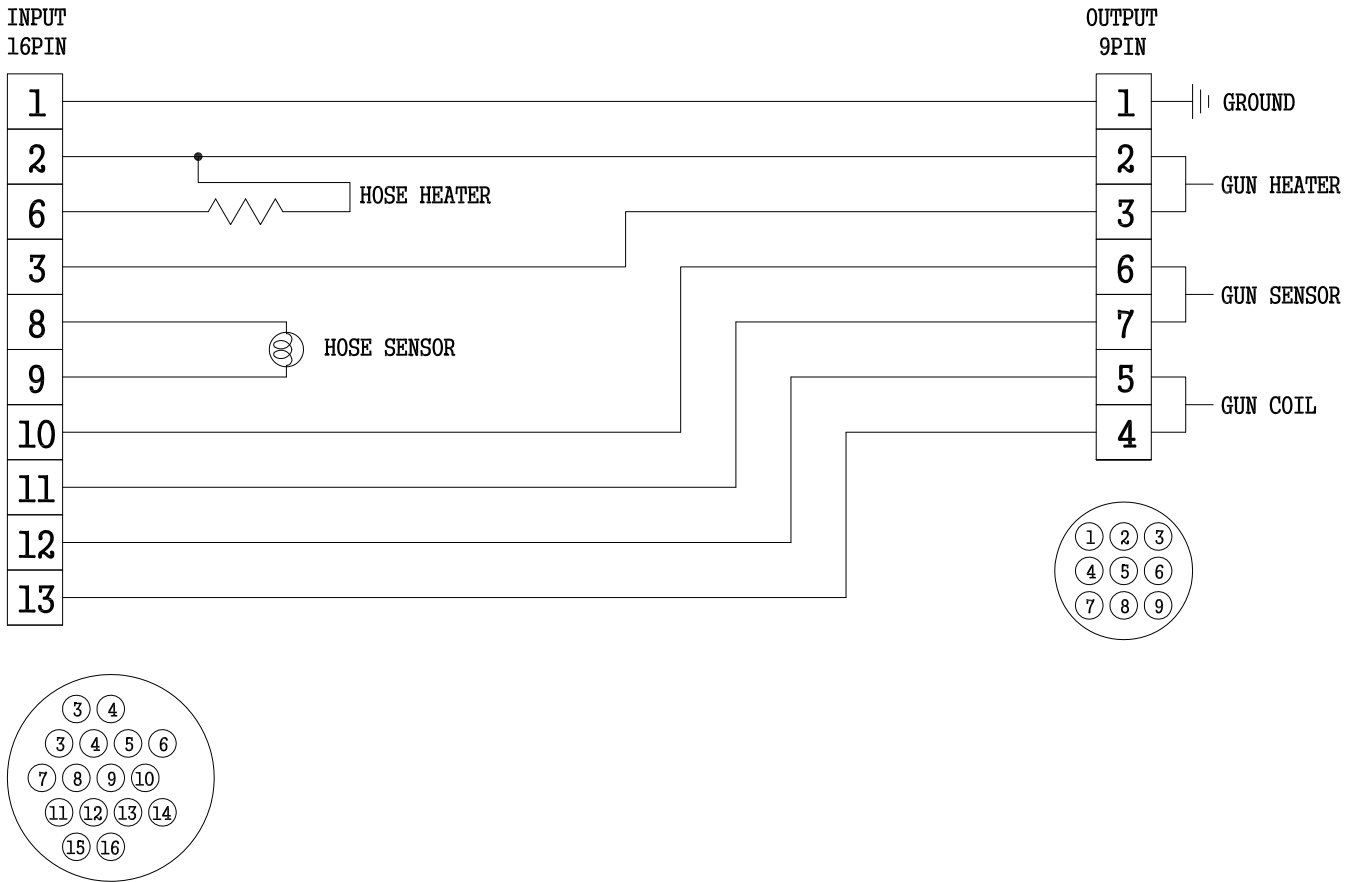
- ⑩ When Motor is too noisy.
 - o It may be caused by excessive overloaded MOTOR.
 - o Being merely a noise coming from GEAR BOX in MOTOR, it does not affect function.
 - o Check if there are enough amount of grease in the GEAR BOX.

11. Finding problem and solution when using HOT MELT

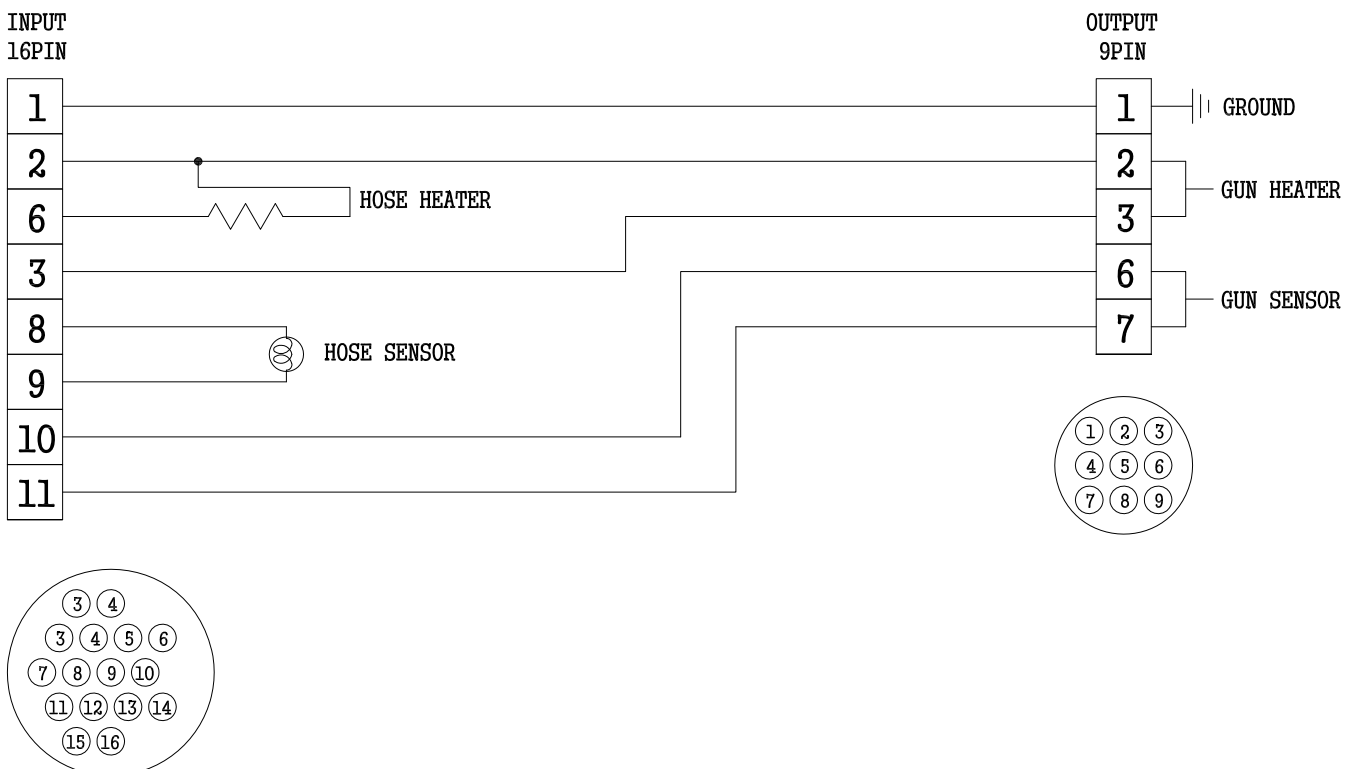
Situation	Cause	Solution
1. Injection	<ol style="list-style-type: none"> Melting temperature is too low. Viscosity of HOT MELT is too high. Ambient temperature is too low. Adherend and nozzle are too far away. Error in nozzle selection. Pumping pressure is too low. 	<ol style="list-style-type: none"> Raise melting temperature. Use HOT MELT of low viscosity. Raise ambient temperature for use. Keep them closer to each other. Use of an appropriate nozzle. Raise Pumping pressure.
2. Loosen	<ol style="list-style-type: none"> Nozzle tip is crushed. Valve sheet in gun is broken. 	<ol style="list-style-type: none"> Cleaning or replacement of nozzle. Replace valve sheet .
3. Splash & Gas Discharge	<ol style="list-style-type: none"> Pumping pressure is too high. Air mixed with adhesive. Temperature is too high. Air pin valve sheet is broken. 	<ol style="list-style-type: none"> Lower pumping pressure. Change adhesive. Lower operating temperature. Replacement of air pin valve
4. Splashing all around	<ol style="list-style-type: none"> Discharging pressure is too high. Viscosity of HOT MELT is too low. 	<ol style="list-style-type: none"> Lower discharge pressure. Replacement by HOT MELT of high viscosity.
5. HOT MELT Carbonization and gelation	<ol style="list-style-type: none"> Melting temperature of HOT MELT too high Defect in thermal management tool Poor heating stability of HOT MELT 	<ol style="list-style-type: none"> Lower temperature. Adjustment and replacement of heating controller Replacement of HOT MELT
6. HOT MELT Bad percolation	<ol style="list-style-type: none"> Operating temperature of HOT MELT is too high. Coating amount too little. IMPROPER MELT CHOOSE. OPEN TIME OF ADHESIVE TOO SHORT. 	<ol style="list-style-type: none"> Lower temperature. Raise pumping pressure a little. Increase coating amount by nozzle of larger diameter. Replace with proper HOT MELT. Set OPEN TIME. Replace by HOT MELT with long OPEN TIME. Increase coating amount. Raise adherend temperature. Raise operating temperature.
7. Falls after compression	<ol style="list-style-type: none"> compression is not enough. SET TIME of HOT MELT not proper. 	<ol style="list-style-type: none"> compression process. Adjust set time. Lower operating temperature a little.
8. Open time too long	<ol style="list-style-type: none"> Coating amount too little. Operating temperature a little is too low. Ambient temperature and adherend temperature are too low. Adherend and nozzle are too far away. 	<ol style="list-style-type: none"> Increase discharge amount. (pumping pressure ↑ , nozzle diameter ↑) Raise operating temperature. Raise ambient temperature. Pre-heat adherend Reposition nozzle closer to substrate.

AUTO HOSE AND MANUAL HOSE ELECTRIC WIRE

AUTO HOSE DIAGRAM

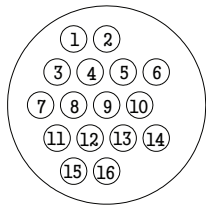
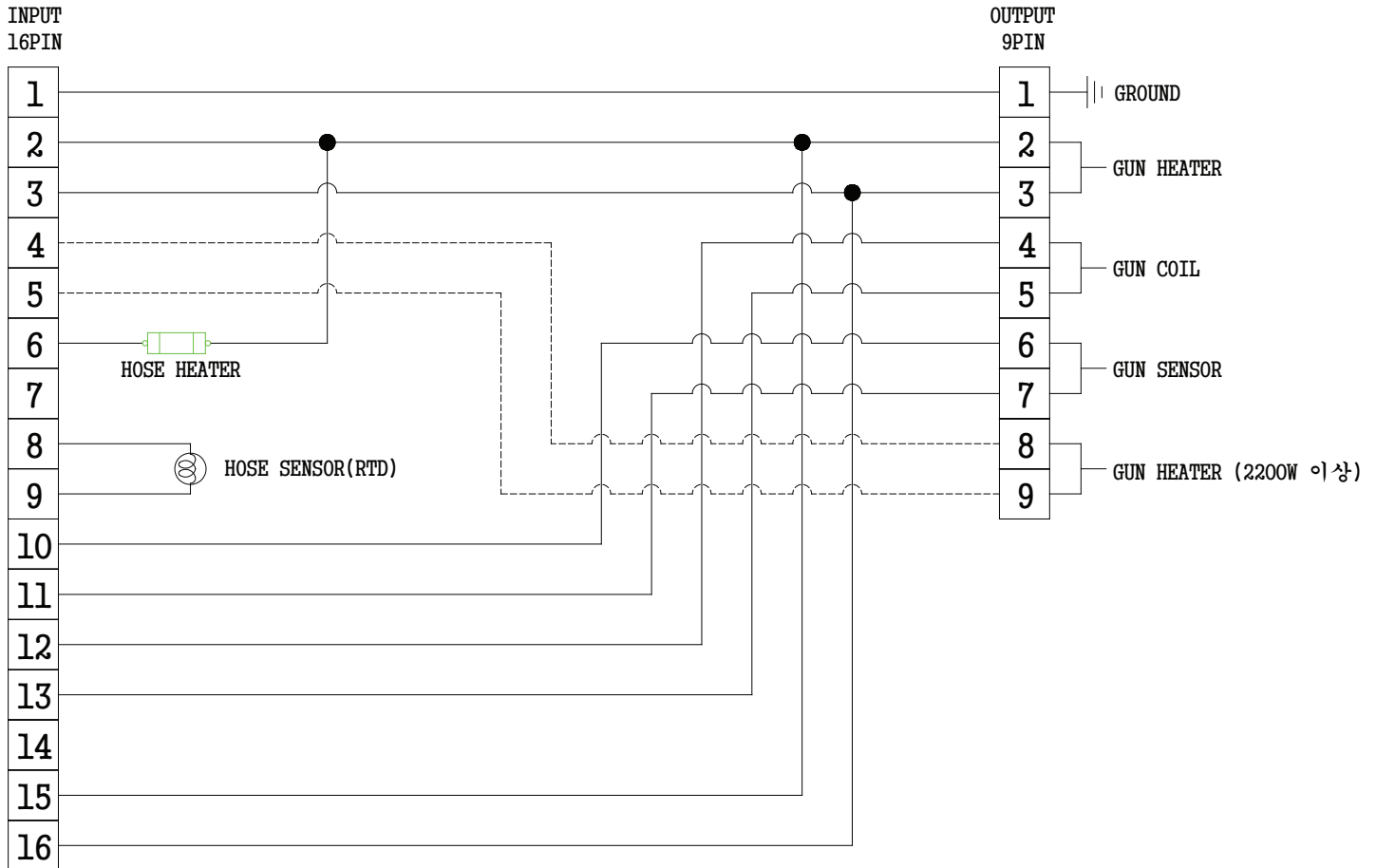


MANUAL HOSE DIAGRAM

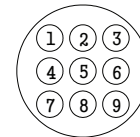


AUTO HOSE AND MANUAL HOSE ELECTRIC WIRE

AUTO HOSE DIAGRAM (MULTI GUN)



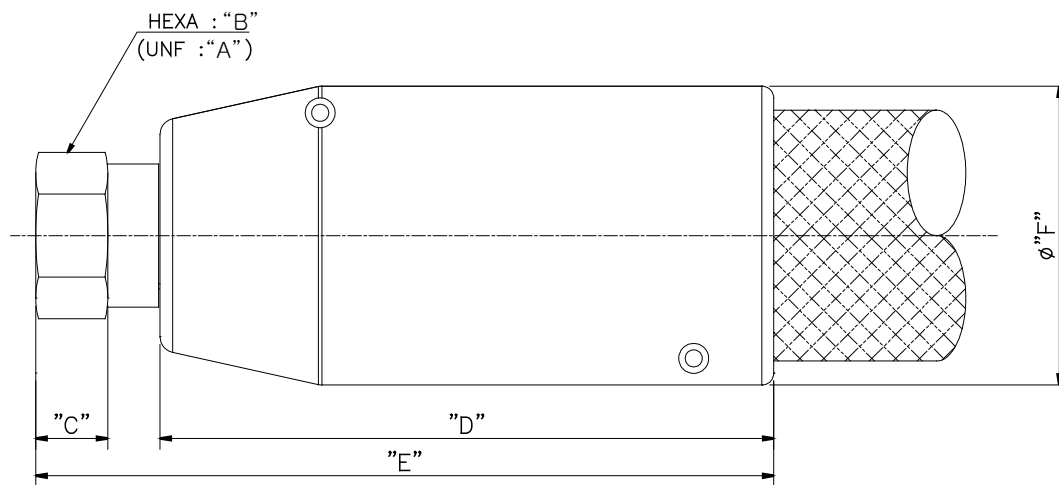
CONNRCATOR 16PIN



CONNRCATOR 9PIN

HOSE IN DIAMETER	L	(FT) WATT
ø6	0.8m~16m	24WATT
ø8	0.6m~16m	27WATT
ø10	0.6m~16m	30WATT
ø12	0.5m~16m	35WATT
ø16	0.4m~10m	45WATT
ø25	0.4m~10m	65WATT
ø50	0.4m~3m	100WATT

◆ HOSE LAYOUT ◆



HOSE IN DIAMETER	"A"(UNF)	"B"	"C"	"D"	"E"	"F"(Φ)
Φ 6	1/2-20	15	9	88	111	45
Φ 8	9/16-18	19	8	88	111	45
Φ 10	3/4-16	24	11	100	121	48
Φ 12	7/8-14	27	13.5	115	138.5	56
Φ 16	1 1/16-12	32	14	115	142	56